



# Technical specification

---

Submersible pump C 3060, 50 Hz



Flygt







# C 3060

## Product

Submersible pump for use in highly corrosive industrial waste water.

## Denomination

Product code	3060.390
Installation	P, S, T
Impeller characteristics	MT, HT

## Process data

Liquid temperature	max +40 °C
Depth of immersion	max 20 m
The pH of the pumped liquid	pH 0 -14
Liquid density	max. 1100 kg/m <sup>3</sup>
Impeller throughlet	See Motor rating table

## Motor data

Frequency	50 Hz
Insulation class	H (+180 °C)
Voltage variation	
- continuously running	max ± 5%
- intermittent running	max ± 10%
Voltage imbalance between phases	max 2%
No. of starts/hour	max 15

## Cable

### Direct-on-line start

SUBCAB®	4G1,5 mm <sup>2</sup>
	4G1,5+2x1,5 mm <sup>2</sup>
	4G2,5 mm <sup>2</sup>
	4G2,5+2x1,5 mm <sup>2</sup>

## Monitoring equipment

Thermal contacts opening temperature 125 °C

## Material

Impeller	Stainless steel
Pump housing	Stainless steel
Stator housing	Stainless steel
Shaft	Stainless steel
O-rings	Fluorinated rubber

### Mechanical face seals

Alternative	Inner seal	Outer seal
1	Aluminium oxide/ Aluminium oxide	Aluminium oxide/ Aluminium oxide

## Weight

See dimensional drawing.

## Option

Other cables

## Accessories

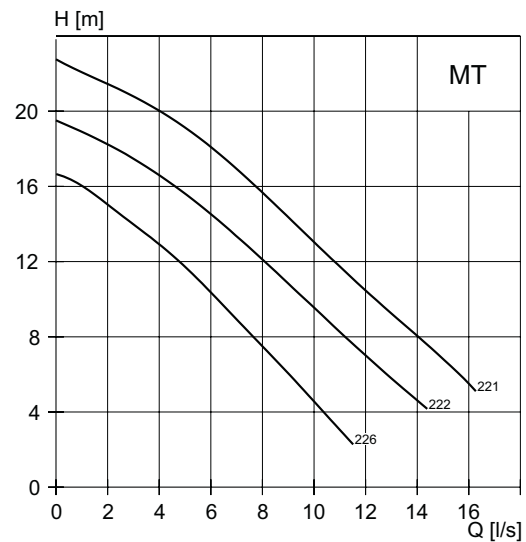
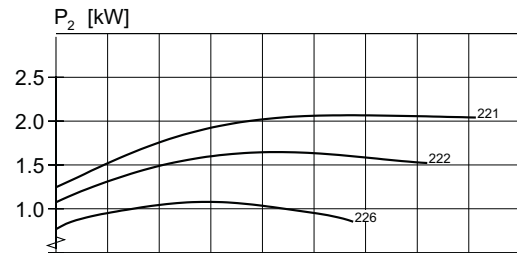
Discharge connections, adapters, hose connections and other mechanical accessories.

Electrical accessories such as pump controller, control panels, starters, monitoring relays, cables.

See separate booklet or [www.flygt.com](http://www.flygt.com), for further information.

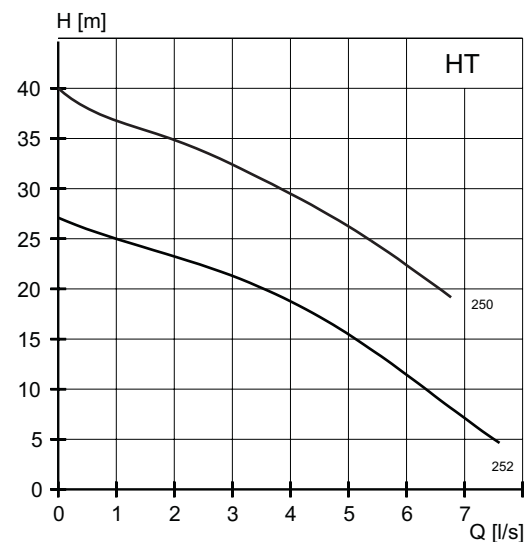
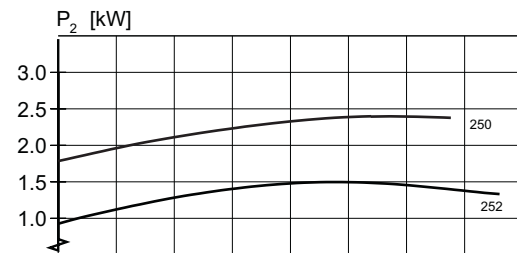
### MT-Motor rating and performance curve

Curve/Impeller No	Rated power, kW	Rated current, A	Starting current, A	Power factor cos $\varphi$	Impeller thoughtlet, mm	Ex proof version available	Installation			
							P	S	T	
400 V, 50 Hz, 3 ~, 2820 r/min										
221	2,4	4,9	26,0	0,92	20		•	•	•	
222	2,4	4,9	26,0	0,92	20		•	•	•	
226	2,4	4,9	26,0	0,92	20		•	•	•	



### HT-Motor rating and performance curve

Curve/Impeller No	Rated power, kW	Rated current, A	Starting current, A	Power factor cos $\varphi$	Impeller thoughtlet, mm	Ex proof version available	Installation			
							P	S		
400 V, 50 Hz, 3 ~, 2820 r/min										
250	2,4	4,9	26,0	0,92	20		•	•		
252	2,4	4,9	26,0	0,92	20		•	•		

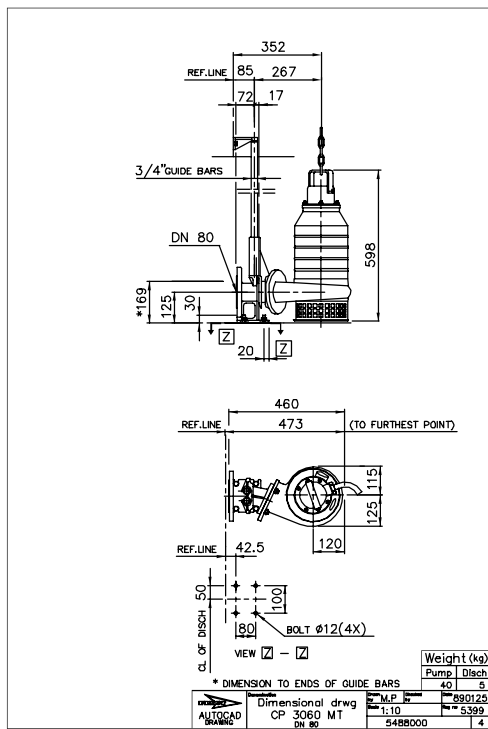


## Dimensional drawing

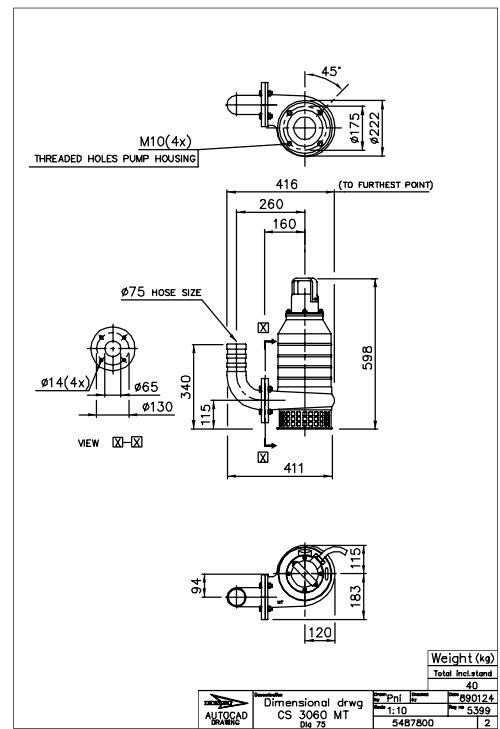
All drawings are available as Acrobat documents (.pdf) and AutoCad drawings (.dwg). Download the drawings from [www.flygt.com](http://www.flygt.com) or contact your ITT Flygt representative for more information.

All dimensions are in mm.

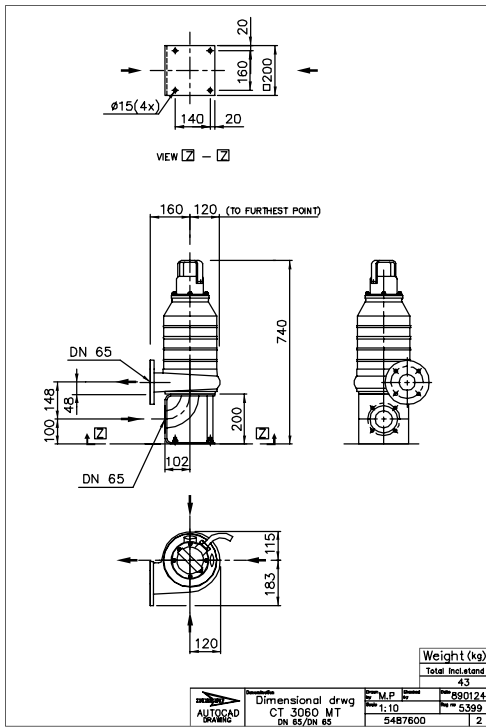
### MT, P-installation



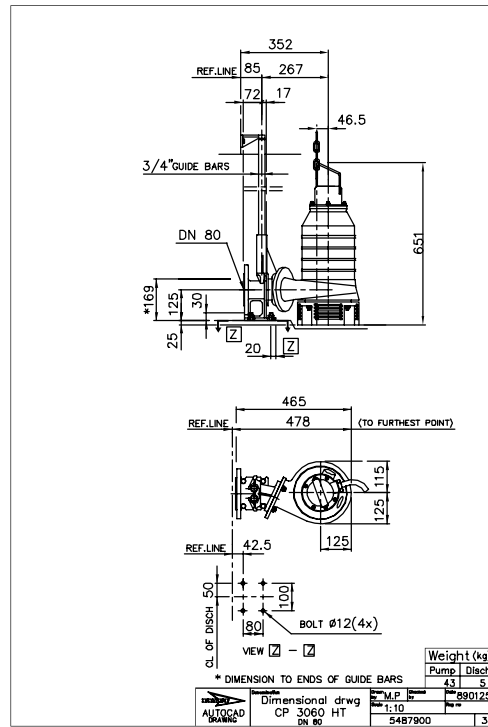
### MT, S-installation



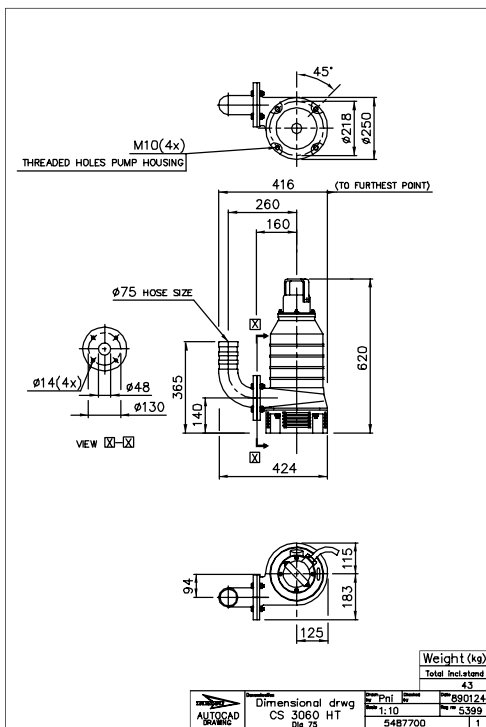
MT, T-installation



HT, P-installation



HT, S-installation







Flygt International, Tel: +46 8 475 69 90, Fax: +46 8 475 69 99  
[int.flygt.com](http://int.flygt.com)