

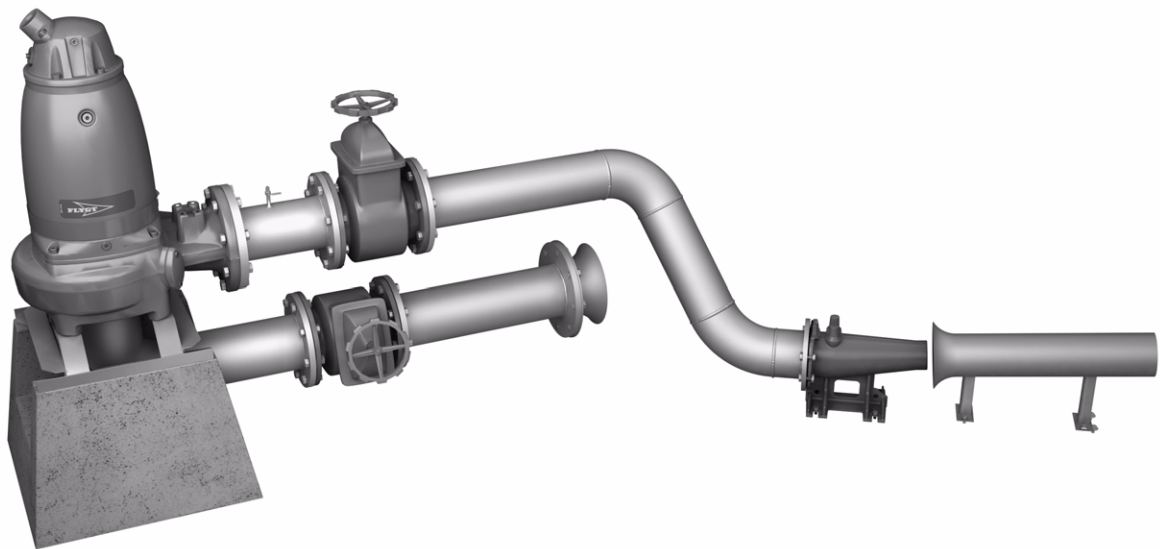


ITT

Water & Wastewater

Technical specification

**Flygt jet mixer JT 4710, 4715, 4720, 4730, 4735
50/60 Hz**



Engineered for life

Flygt JT

4710, 4715, 4720, 4730, 4735

Product

The Flygt jet mixer is intended for mixing of contaminated water and sludge. It consists of an engineered ejector system and a dry-installed Flygt N-pump.

Material

Ejector pipe	Stainless Steel
Nozzle	Cast iron
Bellmouth	Stainless Steel
Adapter unit	Stainless Steel

Flygt N-pump

Dry-installed Flygt N-pump with patented non-clogging technology for sustained efficiency.

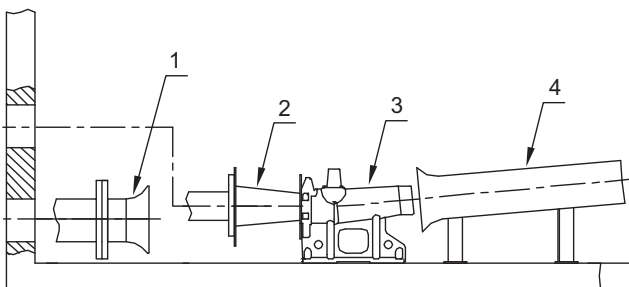
Refer to pump technical specification for more details.

To be ordered separately from the ejector system.

Installation

Ejector system

Jet mixer	Pump	Ejector system
4710	NT 3102.LT	726 80 00
4715	NT 3127.LT	726 82 00
4720	NT 3153.LT	726 84 00
4730	NT 3202.LT	726 87 00
4735	NT 3301.LT	726 88 00



Pos. no.	Denomination
1	Bellmouth
2	Adapter unit (JT4710 only)
3	Nozzle
4	Ejector pipe

For optimal performance with the Flygt JT4710, the adapter unit should be attached directly to the nozzle inlet.

Pump data

Jet mixer	Hz	Pump	Rated motor power kW (hp)	Impeller	Pump housing DN
4710	50	NT 3102.181 LT	2.4	423	150
4715	50	NT 3127.181 LT	4.7	421	150
	60	NT 3127.181 LT	5.5 (7.4)	422	150
4720	50	NT 3153.181 LT	13.5	411	200
	60	NT 3153.181 LT	14.9 (20)	414	200
4730	50	NT 3202.180 LT	37	612	300
	60	NT 3202.180 LT	45 (60)	616	300
4735	50	NT 3301.180 LT	55	624	300
	60	NT 3301.180 LT	63 (85)	626	300

Jet mixer data

Jet mixer	Hz	Pump	*Thrust (N)	Nozzle outlet diameter (mm)	Ejector pipe outlet diameter (mm)
4710**	50	NT 3102.181 LT	320	80	150
4715**	50	NT 3127.181 LT	580	102	200
	60	NT 3127.181 LT	690	102	200
4720	50	NT 3153.181 LT	1380	120	200
	60	NT 3153.181 LT	1400	120	200
4730	50	NT 3202.180 LT	3720	171	300
	60	NT 3202.180 LT	3930	171	300
4735	50	NT 3301.180 LT	4200	171	300
	60	NT 3301.180 LT	5250	171	300

* Based on performance at standard conditions in clean water (water temperature +20°C (68°F), 1 atm, air temperature +20°C (68°F)), and a standard pipe configuration (which includes gate valve (x2), elbow (x2) and 10 meter pipes). Consult your ITT representative for performance in your specific application.

**JT4710 and JT4715 are not suitable for continuous operation in air temperatures exceeding 35°C due to the internal water cooling capacity of the pump.

Flange DN

Jet mixer	Bellmouth DN	Pump inlet DN	Pump outlet DN	Adapter Inlet DN	Adapter Outlet DN	Nozzle inlet DN
4710	150	150	150	150	100	100
4715	200	200	150			150
4720	250	250	200			200
4730	400	400	300			300
4735	400	400	300			300

Weight

Jet mixer	See dimensional drawing
4710	726 89 00
4715	726 90 00
4720	726 91 00
4730	726 93 00
4735	726 94 00

Options

Jet mixer	Explosion-proof EN/FM approved Flygt N-pump version	Gate Valve	Ball Valve (Air release valve)
4710	NT 3102.090	83 92 33 (DN150) (x2)	83 93 28
4715	NT 3127.090	83 92 33 (DN 150) (x1) 83 92 34 (DN 200) (x1)	83 93 28
4720	NT 3153.091	83 92 34 (DN 200) (x1) 83 92 35 (DN 250) (x1)	83 93 28
4730	NT 3202.090	83 92 36 (DN300) (x1) (DN400) (x1)	83 93 28
4735	NT 3301.090	83 92 36 (DN300) (x1)(DN400) (x1)	83 93 28

For abrasive applications, Hard-Iron™ hydraulics available in all versions, including explosion-proof.

Pipes are not included and must be supplied locally.

Accessories

Flygt mechanical accessories such as flange kits and anchor bolts.

Flygt electrical accessories such as pump controller, control panels, starters, monitoring relays and cables.

See www.ittwww.com for further information.

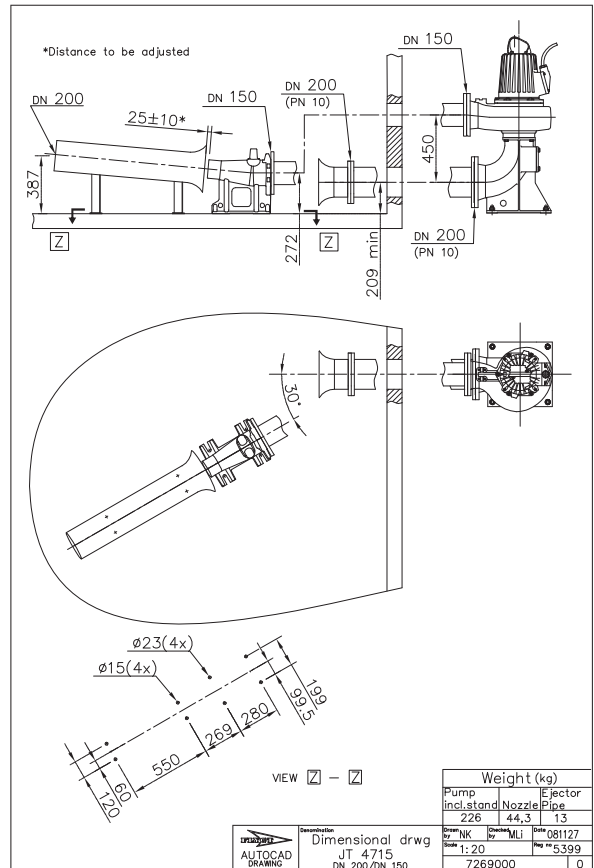
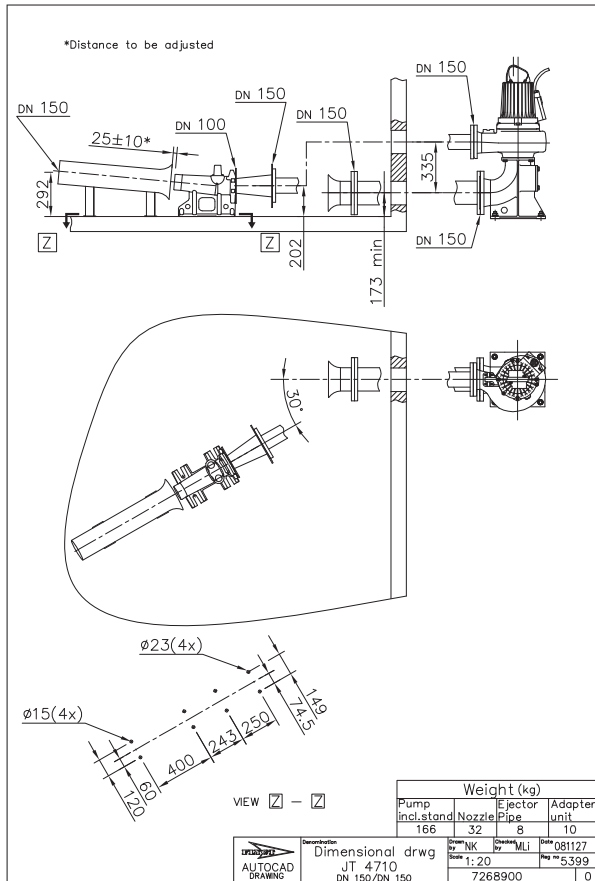
Dimensional drawings

All drawings are available as Acrobat documents (.pdf) and AutoCad drawings (.dwg). Contact your ITT representative for more information.

All dimensions are in mm.

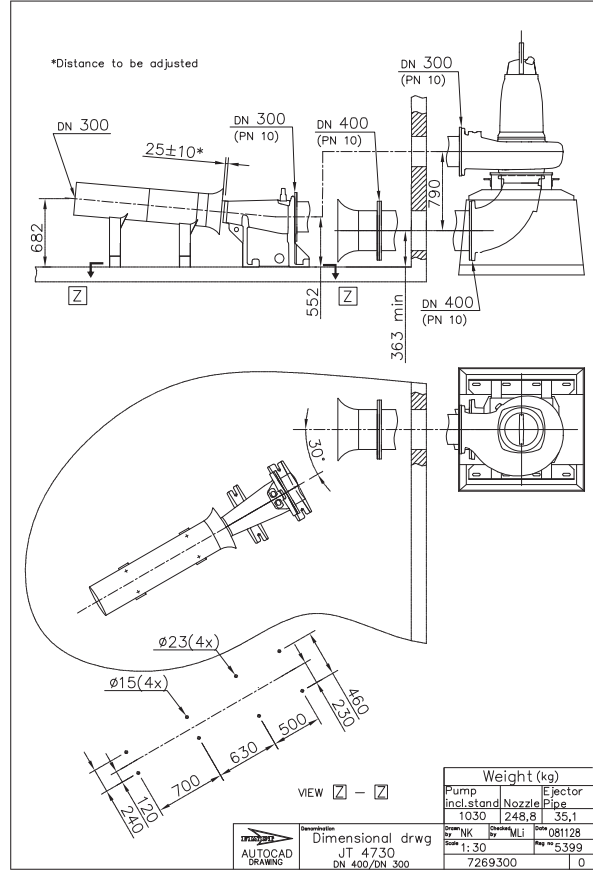
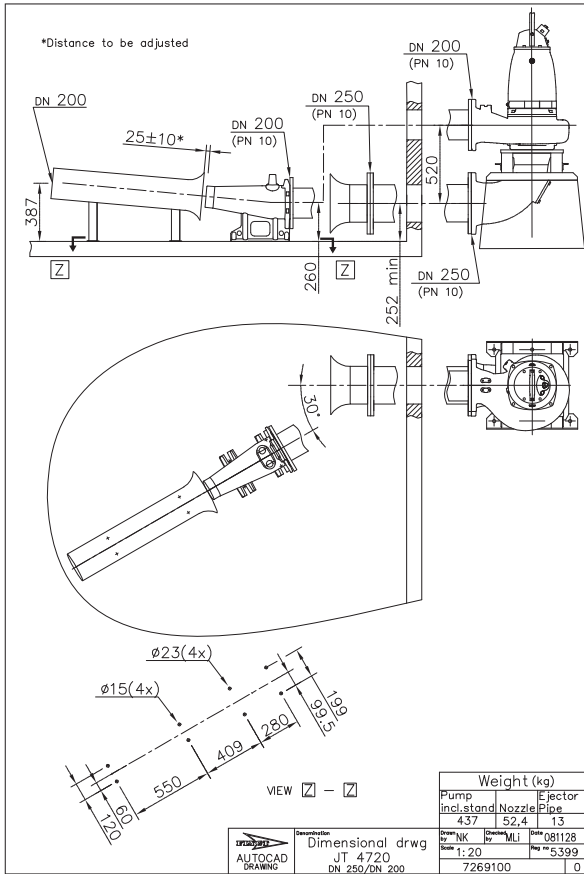
726 89 00

726 90 00

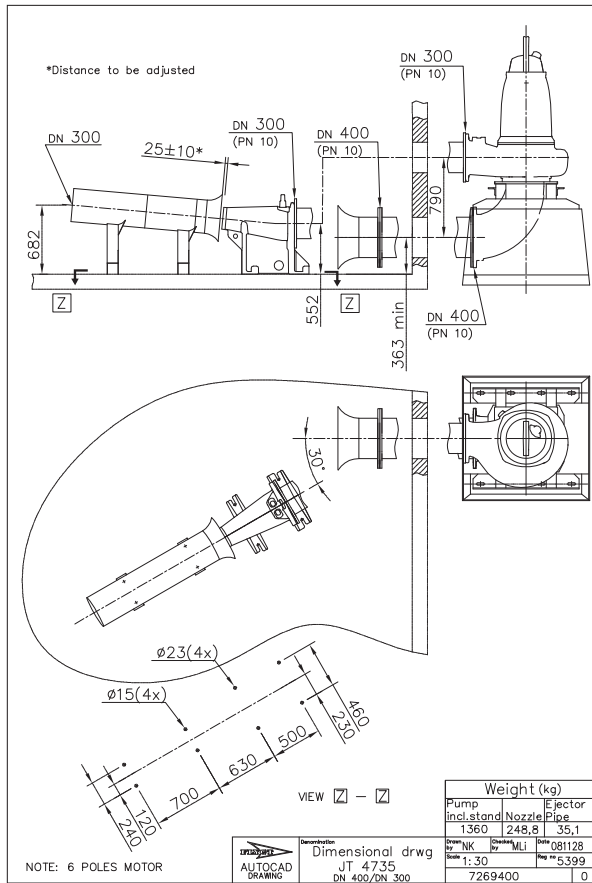


726 91 00

726 93 00



726 94 00





What can ITT Water & Wastewater do for you?

Integrated solutions for fluid handling are offered by ITT Water & Wastewater as a world leader in transport and treatment of wastewater. We provide a complete range of water, wastewater and drainage pumps, equipment for monitoring and control, units for primary and secondary biological treatment, products for filtration and disinfection, and related services. ITT Water & Wastewater, headquartered in Sweden, operates in some 140 countries across the world, with own plants in Europe, China and North and South America. The company is wholly owned by the ITT Corporation of White Plains, New York, supplier of advanced technology products and services.



SANITAIRE®

WEDECO



www.ittwww.com

ITT Water &
Wastewater AB
SE-174 87 Sundbyberg

Sweden
Visiting address:
Gesällvägen 33
Sundbyberg

Sweden
Tel. +46 8 475 60 00
Fax +46 8 475 69 00