

Technical specification

Submersible pump L 3102, 50 Hz





L 3102

Product

Submersible pump for pumping clean, surface or waste water containing fibre-free solids.

Denomination

Product code	3102.181
Installation	L
Impeller characteristic	LT

Process data

Liquid temperature	max +40 °C
Depth of immersion	max 20 m
The pH of the pumped liquid	pH 5,5-14
Liquid density	max. 1100 kg/m ³
Impeller throughlet	See Motor rating table

Motor data

Frequency	50 Hz
Insulation class	H (+180 °C)
Voltage variation	
- continuously running	max ± 5%
- intermittent running	max ± 10%
Voltage imbalance between phases	max 2%
No. of starts/hour	max 30

Cable

Direct-on-line start

SUBCAB®	4G2,5 mm ²
	4G2,5+2x1,5 mm ²

Y/D start

SUBCAB®	7G2,5+2x1,5 mm ²
	7G2,5 mm ²

Monitoring equipment

Thermal contacts opening temperature	125 °C
--------------------------------------	--------

Material

Impeller	Cast iron
Diffusor	Cast iron
Stator housing	Cast iron
Shaft	Stainless steel
O-rings	Nitrile rubber

Mechanical face seals

Alternative	Inner seal	Outer seal
1	Aluminium oxide/ Corrosion resistant cemented carbide	Aluminium oxide/ Corrosion resistant cemented carbide
2	Aluminium oxide/ Corrosion resistant cemented carbide	Corrosion resistant cemented carbide/ Corrosion resistant cemented carbide
3	Corrosion resistant cemented carbide/ Corrosion resistant cemented carbide	Aluminium oxide/ Corrosion resistant cemented carbide
4	Corrosion resistant cemented carbide/ Corrosion resistant cemented carbide	Corrosion resistant cemented carbide/ Corrosion resistant cemented carbide

Surface Treatment

All cast parts are primed with a water-borne primer. The finishing coat is a high-solid two pack paint.

Weight

See dimensional drawing.

Option

3102.090	Ex. proof version
Warm liquid version on request	
Leakage sensor in stator housing	FLS
Leakage sensor in oil housing	CLS
Other cables	
Surface treatment	Epoxy treatment
Zinc anodes	

Accessories

Electrical accessories such as pump controller, control panels, starters, monitoring relays.

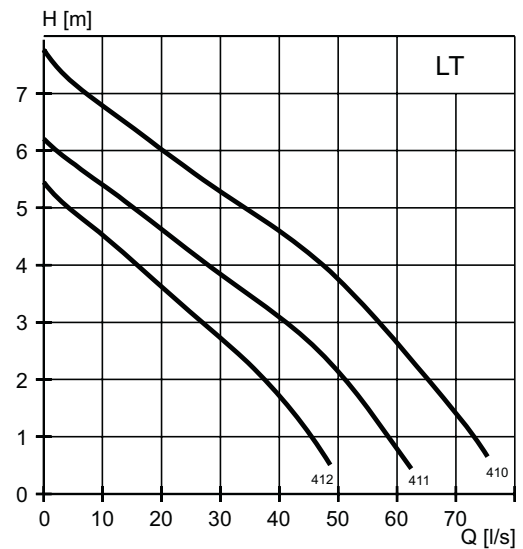
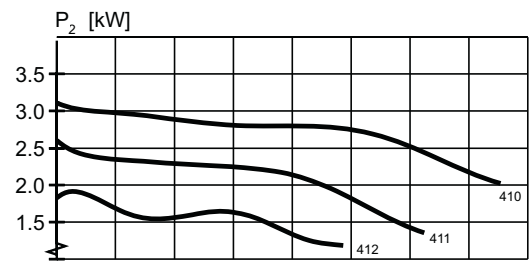
See separate booklet or www.flygt.com, for further information.

LT - Motor rating and performance curve

Impeller L

Curve/Impeller No	Rated power, kW	Rated current, A	Starting current, A	Power factor cos ϕ	Impeller thoughtlet, mm	Ex proof version available
400 V, 50 Hz, 3 ~, 1435 r/min						
410	3,1	6,9	39	0,77	55	•
411	3,1	6,9	39	0,77	52	•
412	3,1	6,9	39	0,77	54	•

Y/D starting current is approximately 1/3 of D starting current.

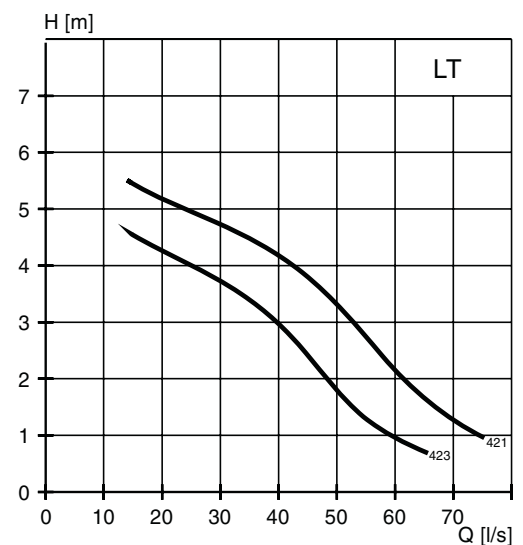
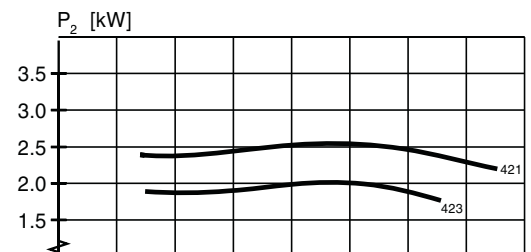


LT - Motor rating and performance curve

Impeller NL

Curve/Impeller No	Rated power, kW	Rated current, A	Starting current, A	Power factor cos ϕ	Impeller thoughtlet, mm	Ex proof version available
400 V, 50 Hz, 3 ~, 1435 r/min						
421	3,1	6,9	39	0,77	54	•
423	3,1	6,9	39	0,77	54	•

Y/D starting current is approximately 1/3 of D starting current.

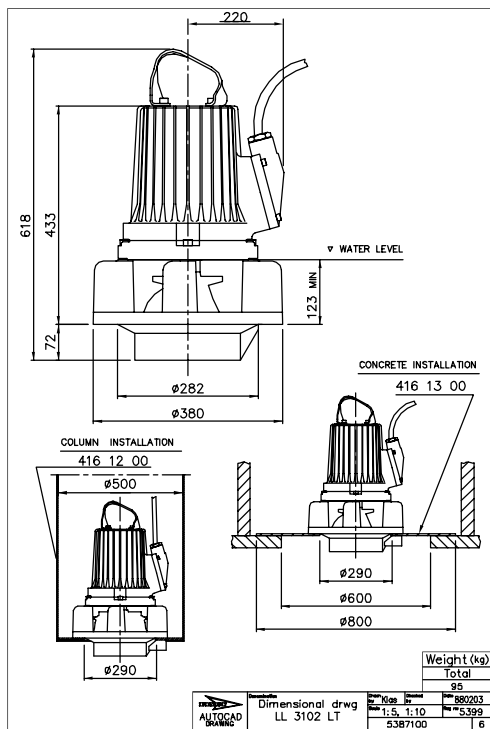


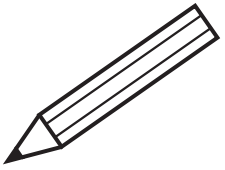
Dimensional drawing

All drawings are available as Acrobat documents (.pdf) and AutoCad drawings (.dwg). Download the drawings from www.flygt.com or contact your ITT Flygt representative for more information.

All dimensions are in mm.

LT, L-installation







www.flygt.com