



Technical specification

Submersible pump D 3060, 50 Hz



Flygt



ITT Industries



D 3060

Product

Submersible pump for use in highly corrosive industrial waste water.

Denomination

Product code	3060.390
Installation	P, S, T
Impeller characteristics	LT

Process data

Liquid temperature	max +40 °C
Depth of immersion	max 20 m
The pH of the pumped liquid	pH 3-12
Liquid density	max. 1100 kg/m ³
Strainer hole size	12 mm x 12 mm

Motor data

Frequency	50 Hz
Insulation class	H (+180 °C)
Voltage variation	
- continuously running	max ± 5%
- intermittent running	max ± 10%
Voltage imbalance between phases	max 2%
No. of starts/hour	max 15

Cable

Direct-on-line start

SUBCAB®	4G1,5 mm ²
	4G1,5+2x1,5 mm ²
	4G2,5 mm ²
	4G2,5+2x1,5 mm ²

Monitoring equipment

Thermal contacts opening temperature 125 °C

Material

Vortex impeller	Stainless steel
Pump housing	Stainless steel
Stator housing	Stainless steel
Shaft	Stainless steel
O-rings	Fluorinated rubber

Mechanical face seals

Alternative	Inner seal	Outer seal
1	Aluminium oxide/ Aluminium oxide	Aluminium oxide/ Aluminium oxide

Weight

See dimensional drawing.

Option

Other cables

Accessories

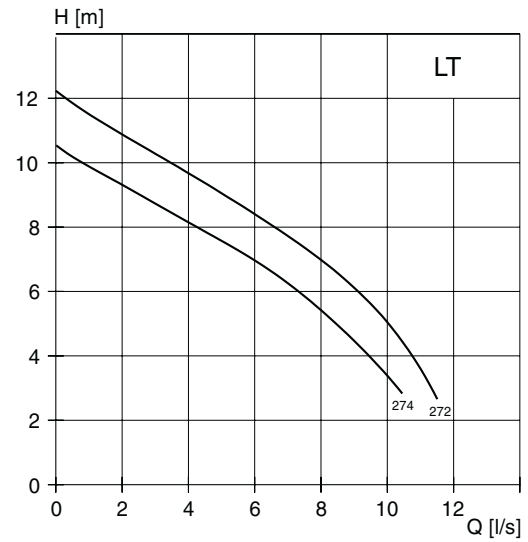
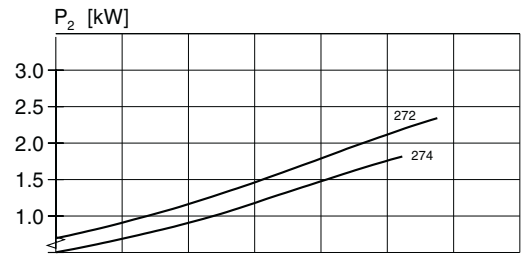
Discharge connections, adapters, hose connections and other mechanical accessories.

Electrical accessories such as pump controller, control panels, starters, monitoring relays, cables.

See separate booklet or www.flygt.com, for further information.

LT-Motor rating and performance curve

Curve/Impeller No	Rated power, kW	Rated current, A	Starting current, A	Power factor cos φ	Ex proof version available	Installation				
						P	S	T		
400 V, 50 Hz, 3 ~, 2820 r/min										
272	2,4	4,9	26,0	0,92		•	•	•		
274	2,4	4,9	26,0	0,92		•	•	•		

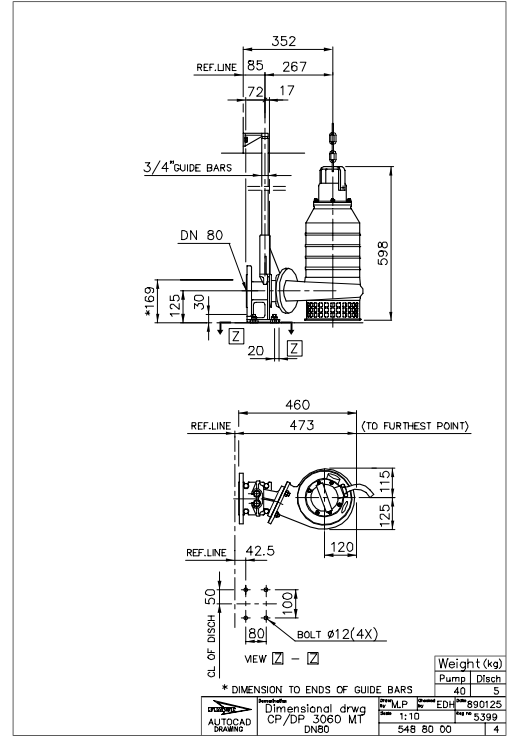


Dimensional drawing

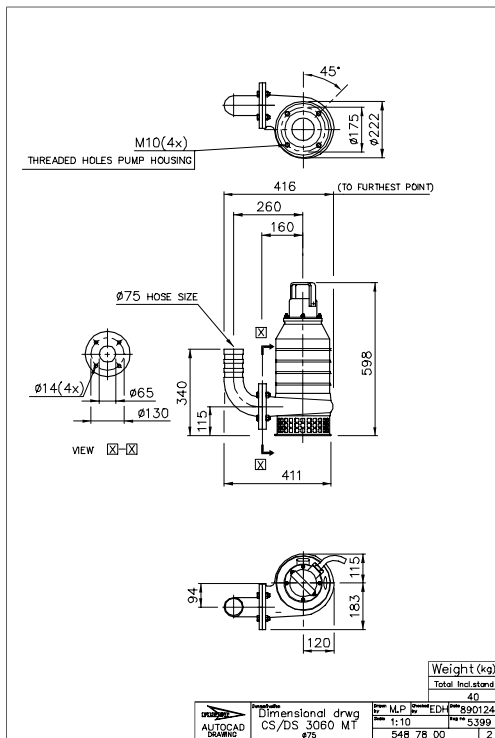
All drawings are available as Acrobat documents (.pdf) and AutoCad drawings (.dwg). Download the drawings from www.flygt.com or contact your ITT Flygt representative for more information.

All dimensions are in mm.

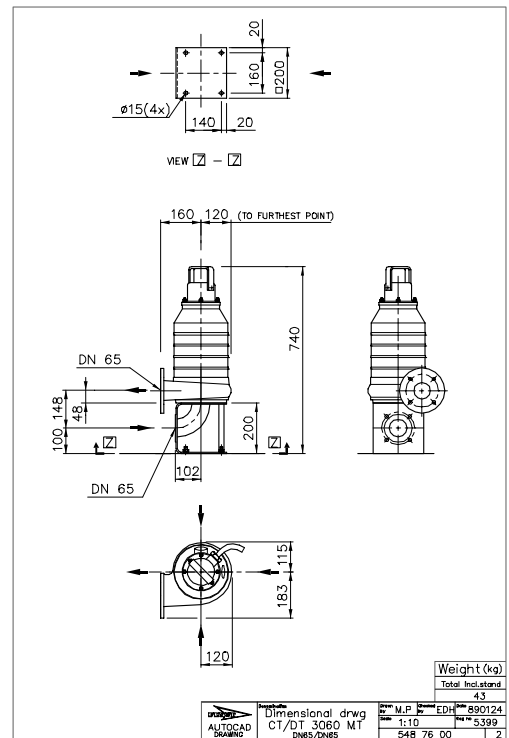
P-installation

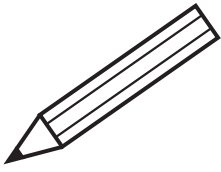


S-installation



T-installation





A series of horizontal dashed lines for handwriting practice, starting below the pencil illustration and extending to the bottom of the page.



www.flygt.com