



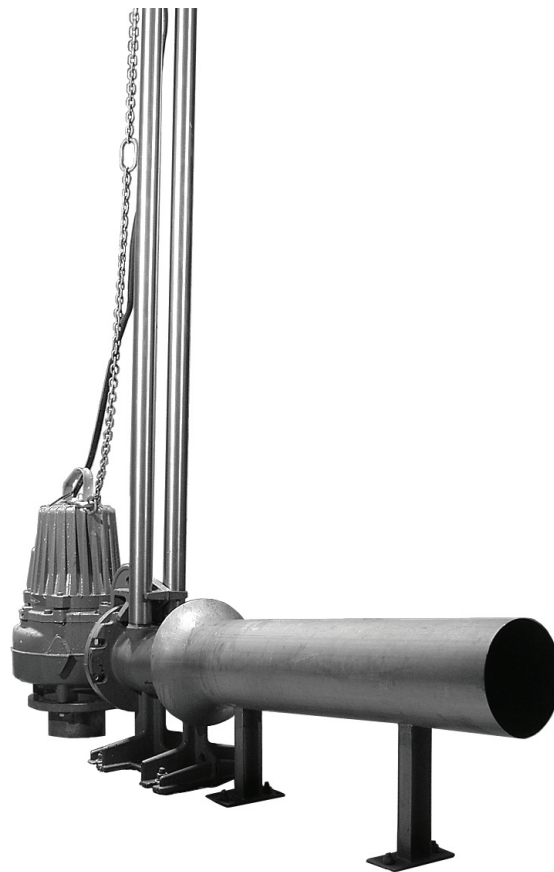
**ITT**

Water & Wastewater

---

# Technical specification

**Flygt hydro-ejector JP 4710, 4715, 4720  
50/60 Hz**



*Engineered for life*



# Flygt JP 4710, 4715, 4720

## Product

The Flygt Hydro-ejector is designed for mixing and flushing of retention basins. It is a submersible unit consisting of a Flygt N-pump and an engineered ejector system.

## Material

Ejector pipe	Stainless Steel
Nozzle	Cast iron
Bellmouth	Stainless Steel

## Flygt N-pump

Submersible Flygt N-pump with patented non-clogging technology for sustained efficiency.

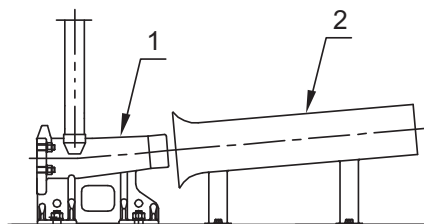
Refer to pump technical specification for additional details.

To be ordered separately from the ejector system.

## Installation

### Ejector system

Hydro-ejector	Pump	Ejector system
4710	NP 3102 LT	726 81 00
4715	NP 3127 LT	726 83 00
4720	NP 3153 LT	726 85 00



Pos. no.	Denomination
1	Nozzle
2	Ejector pipe

### Pump data

Hydro-ejector	Hz	Pump	Rated motor power kW (hp)	Impeller	Pump housing DN
4710	50	NP 3102.181 LT	3.1	421	100
	60	NP 3102.181 LT	3.7 (5.0)	423	100
4715	50	NP 3127.181 LT	5.9	420	150
	60	NP 3127.181 LT	7.5 (10.0)	421	150
4720	50	NP 3153.181 LT	13,5	411	200
	60	NP 3153.181 LT	14.9 (20)	416	200

### Hydro-ejector data

Hydro-ejector	Hz	Pump	*Thrust (N)	Ejector pipe outlet diameter (mm)	Nozzle outlet diameter (mm)
4710	50	NP 3102.181 LT	460	150	80
	60	NP 3102.181 LT	430	150	80
4715	50	NP 3127.181 LT	760	200	102
	60	NP 3127.181 LT	820	200	102
4720	50	NP 3153.181 LT	1390	200	120
	60	NP 3153.181 LT	1040	200	120

\* Based on performance at standard conditions in clean water (water temperature +20°C (68°F)).

### Flange DN

Hydro-ejector	Pump inlet DN	Pump outlet DN	Nozzle inlet DN
4710	150	100	100
4715	150	150	150
4720	200	200	200

### Weight

Hydro-ejector	See dimensional drawing
4710	669 68 00
4715	669 69 00
4720	669 70 00

### Options

Hydro-ejector	Explosion-proof EN/FM approved Flygt N-pump version
4710	<b>NP 3102.090</b>
4715	<b>NP 3127.090</b>
4720	<b>NP 3153.091</b>

Suction pipe is not included and must be supplied locally.

## Accessories

Flygt mechanical accessories such as guide bars, guide holder brackets and anchor bolts.

Flygt electrical accessories such as pump controller, control panels, starters, monitoring relays and cables.

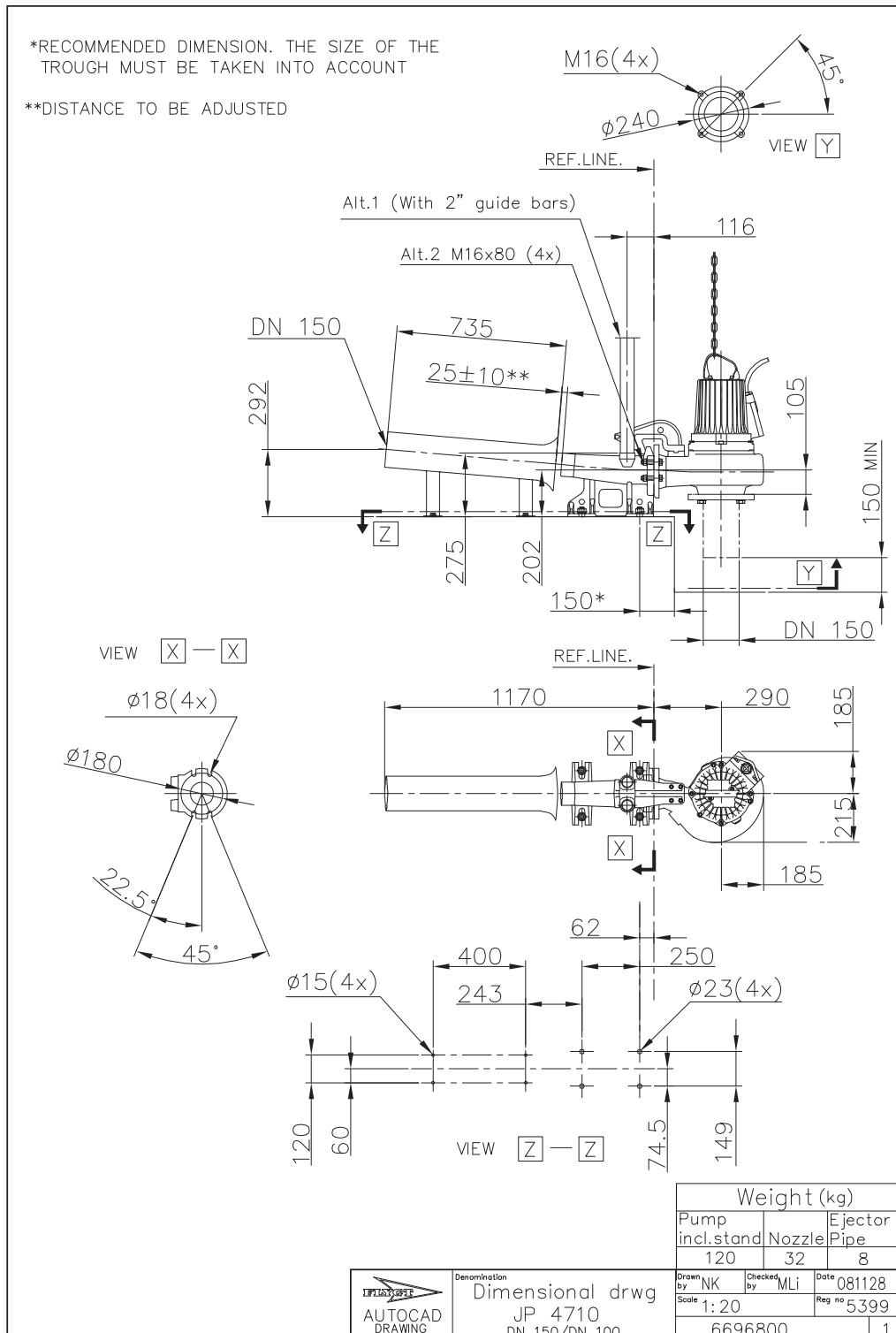
See [www.ittwww.com](http://www.ittwww.com) for further information.

## Dimensional drawings

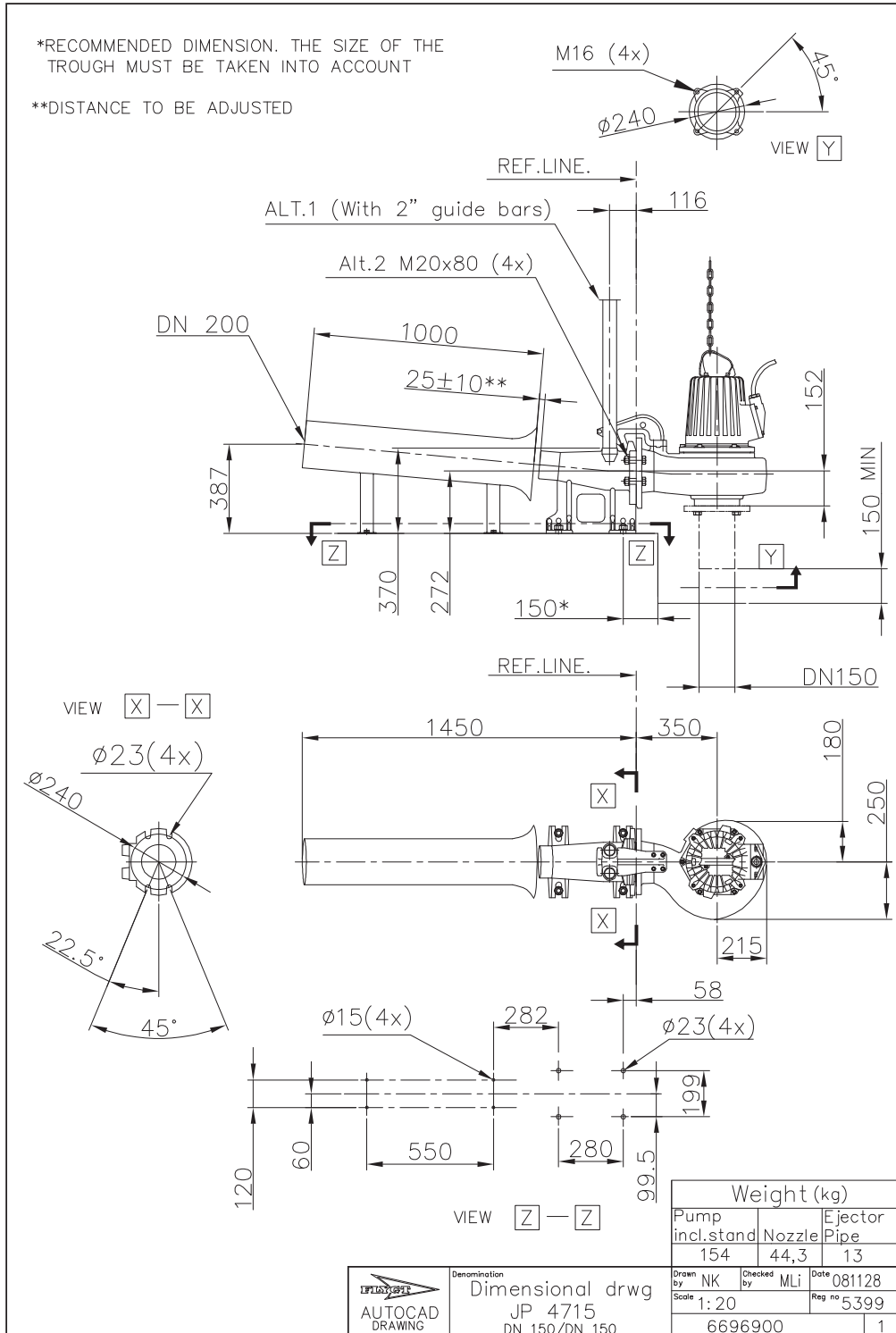
All drawings are available as Acrobat documents (.pdf) and AutoCad drawings (.dwg). Contact your ITT representative for more information.

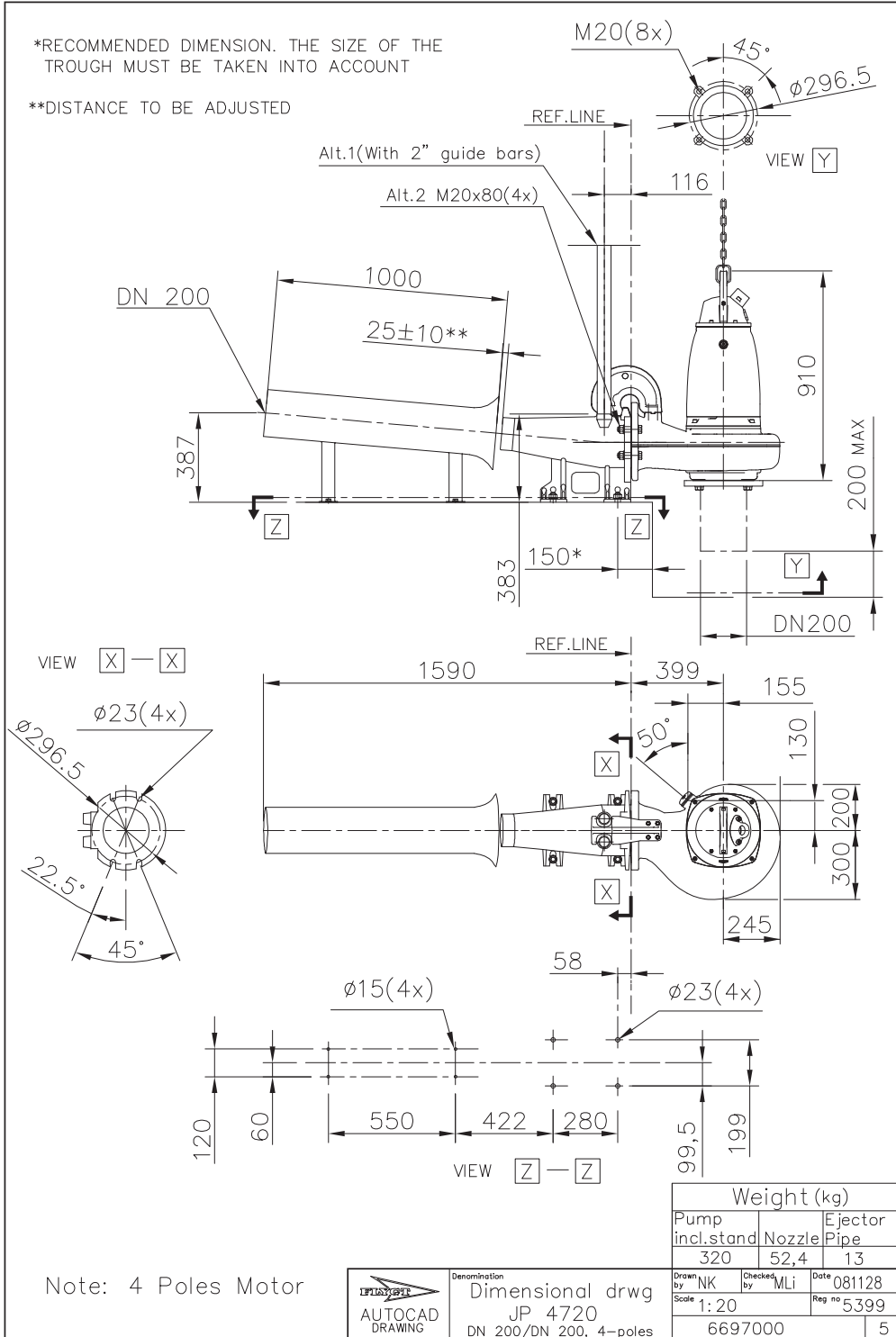
All dimensions are in mm.

**669 68 00**



669 69 00









### What can ITT Water & Wastewater do for you?

Integrated solutions for fluid handling are offered by ITT Water & Wastewater as a world leader in transport and treatment of wastewater. We provide a complete range of water, wastewater and drainage pumps, equipment for monitoring and control, units for primary and secondary biological treatment, products for filtration and disinfection, and related services. ITT Water & Wastewater, headquartered in Sweden, operates in some 140 countries across the world, with own plants in Europe, China and North and South America. The company is wholly owned by the ITT Corporation of White Plains, New York, supplier of advanced technology products and services.



**SANITAIRE®**

**WEDECO**



[www.ittwww.com](http://www.ittwww.com)

ITT Water &  
Wastewater AB  
SE-174 87 Sundbyberg

Sweden  
Visiting address:  
Gesällvägen 33  
Sundbyberg

Sweden  
Tel. +46 8 475 60 00  
Fax +46 8 475 69 00