



H5100.300, 50 Hz

Table of Contents

H 5100.251.....	2
H 5100.300.....	2

H 5100.251

H 5100.300

Product



Submersible pump for pumping water containing abrasive particles, sludge, ground water, slurries.

Denomination

Product code	5100.300
Installation	S
Impeller characteristics	MT

Process data

Liquid temperature	max +40 °C
Depth of immersion	max 20 m
The pH of the pumped liquid	pH 5,5-14
Liquid density	depending on impeller size
Impeller throughlet	40 mm

Motor data

Frequency	50 Hz
Insulation class	H (+180 °C)
Voltage variation	<ul style="list-style-type: none"> • max ± 5% • max ± 10%
<ul style="list-style-type: none"> • continuously running • intermittent running 	
Voltage imbalance between phases	max 2%
No. of starts/hour	max 30

Cable

Direct-on-line start

SUBCAB®	4G4+2x1,5 mm ²
SUBCAB®	4G6+2x1,5 mm ²
SUBCAB®	4G10+2x1,5 mm ²
SUBCAB®	4G16+2x1,5 mm ²
SUBCAB®	4G25+2x1,5 mm ²
SUBCAB®	4G35+2x1,5 mm ²

Y/D start

SUBCAB®	7G2,5+2x1,5 mm ²
SUBCAB®	7G4+2x1,5 mm ²
SUBCAB®	7G6+2x1,5 mm ²

Monitoring equipment

Thermal contacts opening temperature	140° C
Leakage sensor in inspection chamber	FLS

Material

Impeller	Hard Iron™
Pump housing	Hard Iron™
Stator housing	Cast iron
Shaft	Stainless steel

O-rings

Alternative	Material
1	Nitrile rubber
2	Fluorinated rubber

Mechanical face seals

Alternative	Inner seal	Outer seal
1	2 x Corrosion resistant cemented carbide	2 x Corrosion resistant cemented carbide
2	Aluminium oxide/ Corrosion resistant cemented carbide	2 x Reaction bonded silicon carbide

Surface Treatment

All cast parts are primed with a water-borne primer. The finishing coat is a high-solid two pack paint.

Weight

See dimensional drawing.

Option

5100.310	Ex. proof design
Warm liquid version	
Surface treatment	Epoxy treatment
Screened cables	
Zinc anodes	

Accessories

Adapters, hose connections and other mechanical accessories.

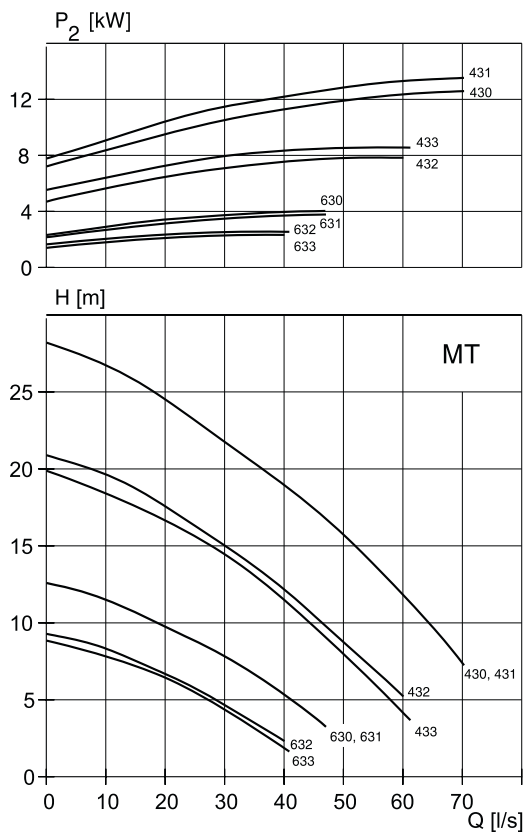
Electrical accessories such as pump controller, control panels, starters, monitoring relays, cables.

See separate booklet or www.xylem.com, for further information.

MT-Motor rating and performance curve

Curve/ Impeller No	Rated power, kW	Rated current, A	Starting current, A	Power factor cos ϕ	Ex proof version availabl e	Installation				
						S				
400 V, 50 Hz, 3 ~, 1450 r/min										
430	30	54	360	0,88	Yes	*				
430	37	66	460	0,88	Yes	*				
430	45	82	605	0,86	Yes	*				
431	30	54	360	0,88	Yes	*				
431	37	66	460	0,88	Yes	*				
431	45	82	605	0,86	Yes	*				
432	30	54	360	0,88	Yes	*				
432	37	66	460	0,88	Yes	*				
432	45	82	605	0,86	Yes	*				
433	30	54	360	0,88	Yes	*				
433	37	66	460	0,88	Yes	*				
433	45	82	605	0,86	Yes	*				
400 V, 50 Hz, 3 ~, 970 r/min										
630	30	59	320	0,83	Yes	*				
630	37	41	410	0,83	Yes	*				
631	30	59	320	0,83	Yes	*				
631	37	41	410	0,83	Yes	*				
632	30	59	320	0,83	Yes	*				
632	37	41	410	0,83	Yes	*				
633	30	59	320	0,83	Yes	*				
633	37	41	410	0,83	Yes	*				

Y/D starting current is approximately 1/3 of D starting current.



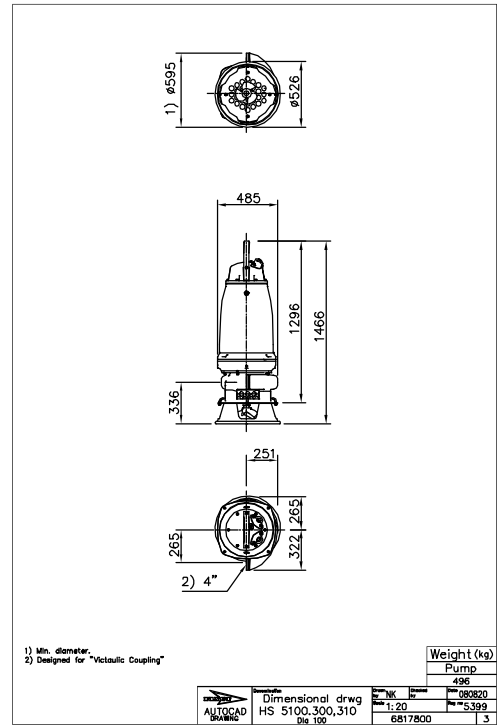
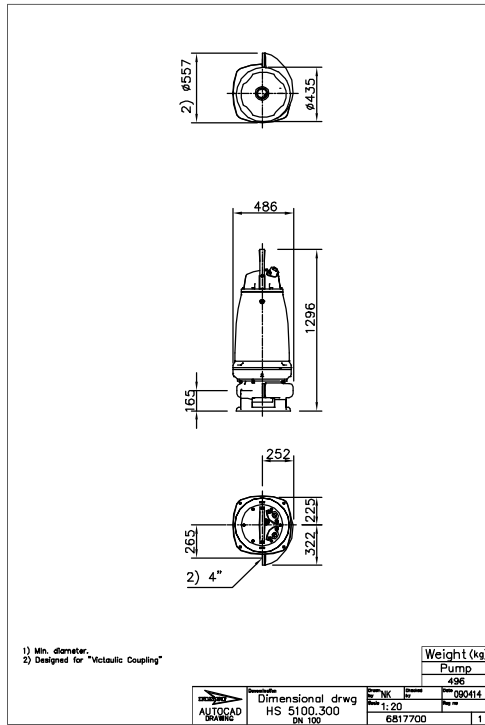
Dimensional drawing

All drawings are available as Acrobat documents (.pdf) and AutoCad drawings (.dwg). Download the drawings from www.xyleminc.com or contact your Xylem representative for more information.

All dimensions are in mm.

MT, S-installation

MT, S-installation with agitator



Xylem |'zīləm|

- 1) The tissue in plants that brings water upward from the roots
- 2) A leading global water technology company

We're 12,000 people unified in a common purpose: creating innovative solutions to meet our world's water needs. Developing new technologies that will improve the way water is used, conserved, and re-used in the future is central to our work. We move, treat, analyze, and return water to the environment, and we help people use water efficiently, in their homes, buildings, factories and farms. In more than 150 countries, we have strong, long-standing relationships with customers who know us for our powerful combination of leading product brands and applications expertise, backed by a legacy of innovation.

For more information on how Xylem can help you, go to xylem.com



Xylem Water Solutions AB
Gesällvägen 33
174 87 Sundbyberg
Sweden
Tel. +46-8-475 60 00
Fax +46-8-475 69 00
<http://tpi.xylem.com>

Visit our Web site for the latest version of this document and more information

The original instruction is in English. All non-English instructions are translations of the original instruction.

© 2011 Xylem Inc