



H5100.251, 50 Hz

Table of Contents

H 5100.251.....	2
H 5100.251.....	2

H 5100.251

H 5100.251

Product



Submersible pump for pumping water containing abrasive particles, sludge, ground water, slurries.

Denomination

Product code	5100.251
Installation	S
Impeller characteristics	MT

Process data

Liquid temperature	max +40 °C
Depth of immersion	max 20 m
The pH of the pumped liquid	pH 5,5-14
Liquid density	depending on impeller size
Impeller throughlet	40 mm

Motor data

Frequency	50 Hz
Insulation class	H (+180 °C)
Voltage variation	<ul style="list-style-type: none"> • max ± 5% • max ± 10%
<ul style="list-style-type: none"> • continuously running • intermittent running 	
Voltage imbalance between phases	max 2%
No. of starts/hour	max 30

Cable

Direct-on-line start

SUBCAB®	4G2,5+2x1,5 mm ²
SUBCAB®	4G4+2x1,5 mm ²
SUBCAB®	4G6+2x1,5 mm ²
SUBCAB®	4G10+2x1,5 mm ²
SUBCAB®	4G16+2x1,5 mm ²

Y/D start

SUBCAB®	7G2,5+2x1,5 mm ²
SUBCAB®	7G4+2x1,5 mm ²
SUBCAB®	7G6+2x1,5 mm ²

Monitoring equipment

Thermal contacts opening temperature	140° C
Leakage sensor in inspection chamber	FLS

Material

Impeller	Hard Iron™
Pump housing	Hard Iron™
Stator housing	Cast iron
Shaft	Stainless steel

O-rings

Alternative	Material
1	Nitrile rubber
2	Fluorinated rubber

Mechanical face seals

Alternative	Inner seal	Outer seal
1	2 x Corrosion resistant cemented carbide	2 x Corrosion resistant cemented carbide
2	Aluminium oxide/ Corrosion resistant cemented carbide	2 x Reaction bonded silicon carbide

Surface Treatment

All cast parts are primed with a water-borne primer. The finishing coat is a high-solid two pack paint.

Weight

See dimensional drawing.

Option

5100.261	Ex. proof design
Warm liquid version	

Surface treatment
Screened cables
Zinc anodes

Epoxy treatment

Accessories

Adapters, hose connections and other mechanical accessories.

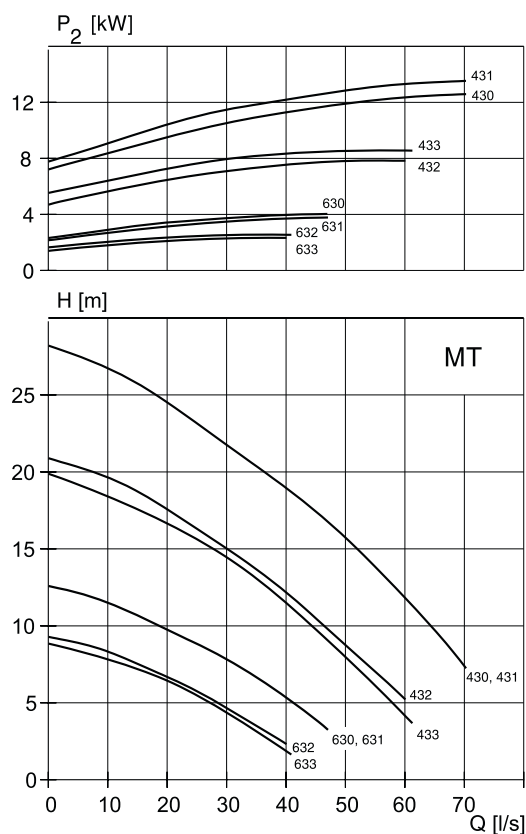
Electrical accessories such as pump controller, control panels, starters, monitoring relays, cables.

See separate booklet or www.xyleminc.com, for further information.

MT-Motor rating and performance curve

Curve/ Impeller No	Rated power, kW	Rated current, A	Starting current, A	Power factor cos ϕ	Ex proof version availabl e	Installation				
						S				
400 V, 50 Hz, 3 ~, 1460 r/min										
430	15	30	178	0,84	Yes	*				
430	18,5	36	223	0,85	Yes	*				
430	22	41	248	0,88	Yes	*				
431	15	30	178	0,84	Yes	*				
431	18,5	36	223	0,85	Yes	*				
431	22	41	248	0,88	Yes	*				
432	15	30	178	0,84	Yes	*				
432	18,5	36	223	0,85	Yes	*				
432	22	41	248	0,88	Yes	*				
433	15	30	178	0,84	Yes	*				
433	18,5	36	223	0,85	Yes	*				
433	22	41	248	0,88						
630	15	30	167	0,84	Yes	*				
631	15	30	167	0,84	Yes	*				
632	15	30	167	0,84	Yes	*				
633	15	30	167	0,84	Yes	*				

Y/D starting current is approximately 1/3 of D starting current.



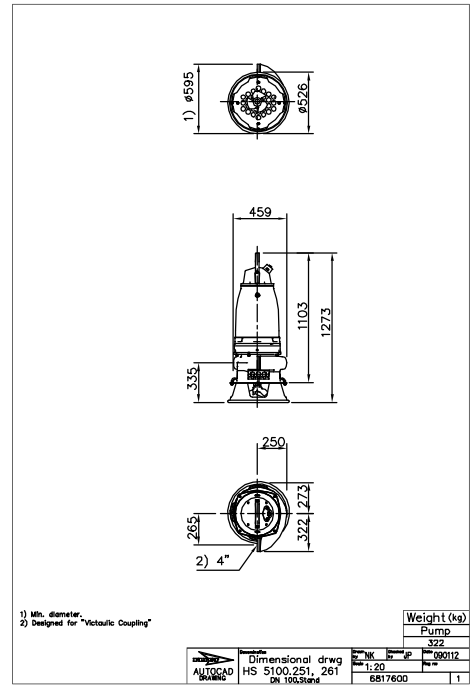
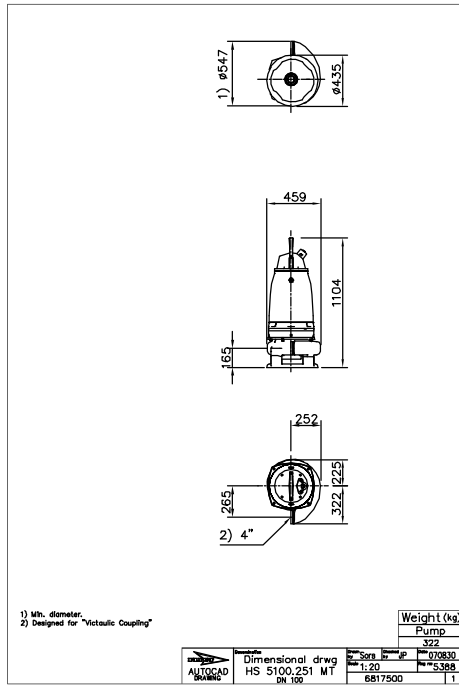
Dimensional drawing

All drawings are available as Acrobat documents (.pdf) and AutoCad drawings (.dwg). Download the drawings from www.xyleminc.com or contact your Xylem representative for more information.

All dimensions are in mm.

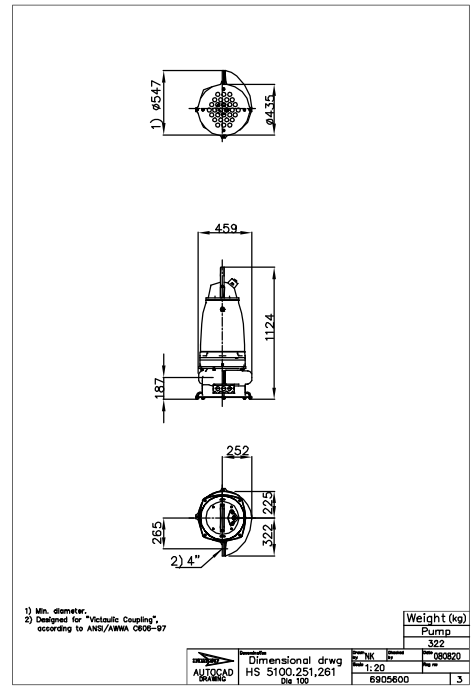
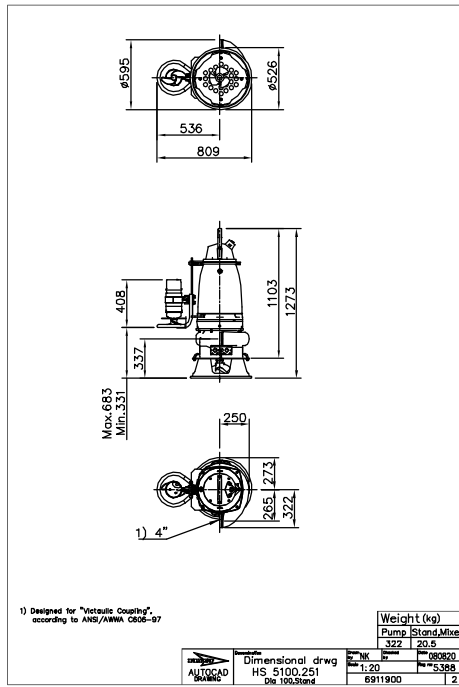
MT, S-installation

MT, S-installation with agitator



MT, S-installation with agitator and side mounted mixer

MT, S-installation



Xylem |'zīləm|

- 1) The tissue in plants that brings water upward from the roots
- 2) A leading global water technology company

We're 12,000 people unified in a common purpose: creating innovative solutions to meet our world's water needs. Developing new technologies that will improve the way water is used, conserved, and re-used in the future is central to our work. We move, treat, analyze, and return water to the environment, and we help people use water efficiently, in their homes, buildings, factories and farms. In more than 150 countries, we have strong, long-standing relationships with customers who know us for our powerful combination of leading product brands and applications expertise, backed by a legacy of innovation.

For more information on how Xylem can help you, go to xylem.com



Xylem Water Solutions AB
Gesällvägen 33
174 87 Sundbyberg
Sweden
Tel. +46-8-475 60 00
Fax +46-8-475 69 00
<http://tpi.xylem.com>

Visit our Web site for the latest version of this document and more information

The original instruction is in English. All non-English instructions are translations of the original instruction.

© 2011 Xylem Inc